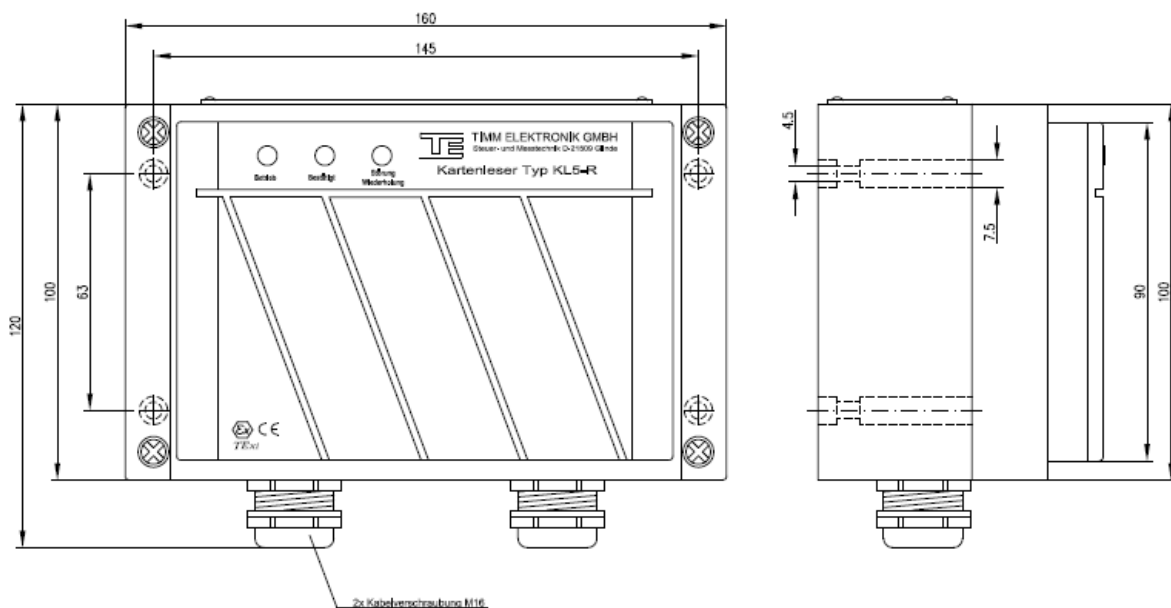


Functional Principle	RFID card reader
Type of Protection	Ex ib IIC T4
EC Type Examination	TÜV 06 ATEX 553110
Power Supply	Max.: $U_o = 15\text{ V}$; $I_o = 175\text{ mA}$; $P_o = 2,6\text{ W}$ Max. length: 1000 m
Permissible Bus Line Values per km	Loop resistance: 15 – 150 Ω Line inductance: 0,4 – 1 mH Line capacity: $C = 80\text{...}200\text{ nF}$ ($C = C_{\text{wire/wire}} + 0,5 C_{\text{wire/shield}}$)
Nominal Ratings	$U_n = 8\text{ V}$; $I_n = 50\text{ mA}$; $P_n = 400\text{ mW}$
Maximum Ratings	$U_i = 15\text{ V}$; $I_i = 175\text{ mA}$; $P_i = 2,6\text{ W}$; $C_i = < 5\text{ nF}$; $L_i = < 10\text{ }\mu\text{H}$
Data Interface	RS485, AMCC-Protokoll
Baud Rates	9600, 19200, 28800, 57600 Baud
Protection of Enclosure	IP65
Operation Temperature	- 25 °C up to + 60 °C



1. Dimension drawing

